

Product Information

PLA-ZM R32 Power Inverter Heat Pump
4-Way Blow Ceiling Cassette System
(Single Phase)

Making a
World of
Difference

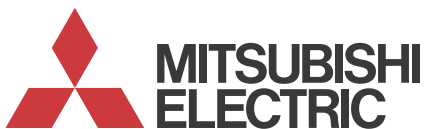
Mr.SLM™



The PLA-ZM Power Inverter range is a ceiling cassette system that blends a host of outstanding features with a sophisticated streamlined design. Offering high seasonal efficiency, advanced control options and extended pipe runs, this range is extremely flexible and utilises low GWP R32 refrigerant.

Key Features

- New stylish square grille design
- Improved airflow control, including horizontal airflow for greater comfort
- Optional 3D i-see sensor grille (PLP-6EAE) provides customised comfort by automatically monitoring room occupancy, position and body temperatures
- Optional filter lowering operation down to 4m (PLP-6EAJ)
- Highly energy efficient operation, utilising low GWP R32 refrigerant
- Quiet operation with industry leading low noise levels
- Full heating capacity down to -3°C
- 100m pipe run (Size 100-140)
- Replace Technology available



Air Conditioning

Product Information

PLA-ZM R32 Power Inverter Heat Pump 4-Way Blow Ceiling Cassette System (Single Phase)

Making a
World of
Difference



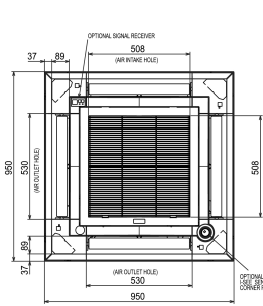
PLA-ZM - INDOOR UNITS		PLA-ZM35EA	PLA-ZM50EA	PLA-ZM60EA	PLA-ZM71EA	PLA-ZM100EA	PLA-ZM125EA	PLA-ZM140EA
CAPACITY (kW)	Heating (nominal)	4.1 (1.6-5.2)	6.0 (2.5-7.3)	7.0 (2.8-8.2)	8.0 (3.5-10.2)	11.2 (4.5-14.0)	14.0 (5.0-16.0)	16.0 (5.7-18.0)
	Cooling (nominal)	3.6 (1.6-4.5)	5.0 (2.3-6.6)	6.1 (2.7-6.5)	7.1 (3.3-8.1)	9.5 (4.9-11.4)	12.5 (6.5-14.0)	13.4 (6.2-15.0)
	Heating (UK)	3.5 (1.35-4.4)	5.1 (2.15-6.2)	6.0 (2.38-6.97)	6.8 (3.0-8.65)	9.5 (3.85-11.9)	11.9 (4.25-13.6)	13.6 (4.85-15.3)
	Cooling (UK)	3.3 (1.45-4.15)	4.6 (2.1-5.15)	4.6 (2.1-5.15)	5.6 (2.48-5.98)	6.55 (3.05-7.45)	9.2 (4.5-10.5)	12.9 (5.7-14.1)
SHF (nominal)		0.95	0.85	0.77	0.72	0.77	0.70	0.70
COP / EER (nominal)		5.00 / 5.10	4.40 / 4.52	4.10 / 4.20	4.40 / 4.30	4.30 / 4.60	3.81 / 3.70	3.71 / 3.60
SCOP / SEER (BS EN14825)		4.70 / 7.50	4.90 / 7.60	4.60 / 7.20	4.80 / 7.60	4.80 / 7.70	4.70 / 7.40	4.60 / 7.00
ERP ENERGY EFFICIENCY CLASS	Heating/Cooling	A++ / A++	A++ / A++	A++ / A++	A++ / A++	A++ / A++	A++ / A++	A++ / A++
AIRFLOW (l/s)	Lo-Mi-Mi2-Hi	183-217-250-267	200-233-267-300	200-233-267-300	283-317-350-383	317-367-417-467	350-400-433-483	400-433-483-533
PIPE SIZE MM (in)	Gas/Liquid	12.7 (1/2") / 6.35 (1/4")	12.7 (1/2") / 6.35 (1/4")	15.88 (5/8") / 9.52 (3/8")	15.88 (5/8") / 9.52 (3/8")	15.88 (5/8") / 9.52 (3/8")	15.88 (5/8") / 9.52 (3/8")	15.88 (5/8") / 9.52 (3/8")
SOUND PRESSURE LEVEL (dBA)	Lo-Mi-Mi2-Hi	26-28-29-31	27-29-31-32	27-29-31-32	28-30-33-36	31-34-37-40	33-36-39-41	36-39-42-44
SOUND POWER LEVEL (dBA)		51	54	54	57	61	62	65
DIMENSIONS (mm)	Width x Depth x Height (Grille)	840 (950) x 840 (950) x 258 (40)	840 (950) x 840 (950) x 258 (40)	840 (950) x 840 (950) x 258 (40)	840 (950) x 840 (950) x 298 (40)	840 (950) x 840 (950) x 298 (40)	840 (950) x 840 (950) x 298 (40)	840 (950) x 840 (950) x 298 (40)
WEIGHT (kg)	Unit / Grille	21 / 5	21 / 5	21 / 5	24 / 5	26 / 5	26 / 5	26 / 5
ELECTRICAL SUPPLY		Fed by Outdoor Unit	Fed by Outdoor Unit	Fed by Outdoor Unit	Fed by Outdoor Unit	Fed by Outdoor Unit	Fed by Outdoor Unit	Fed by Outdoor Unit
FUSE RATING (BS88) - HRC (A)		6	6	6	6	6	6	6
INTERCONNECTING CABLE NO. CORES		4	4	4	4	4	4	4
GRILLE REFERENCE		PLP-6EA	PLP-6EA	PLP-6EA	PLP-6EA	PLP-6EA	PLP-6EA	PLP-6EA
WIRED REMOTE CONTROLLER REFERENCE		PAR-33MAA	PAR-33MAA	PAR-33MAA	PAR-33MAA	PAR-33MAA	PAR-33MAA	PAR-33MAA

PUZ-ZM - OUTDOOR UNITS		PUZ-ZM35VK/A	PUZ-ZM50VK/A	PUZ-ZM60VH/A	PUZ-ZM71VH/A	PUZ-ZM100VK/A	PUZ-ZM125VK/A	PUZ-ZM140VK/A
SOUND PRESSURE LEVEL (dBA)	Heating/Cooling	46 / 44	46 / 44	49 / 47	49 / 47	51 / 49	52 / 50	52 / 50
SOUND POWER LEVEL (dBA)	Cooling	65	65	67	67	69	70	70
WEIGHT (kg)		46	46	70	70	116	116	118
DIMENSIONS (mm)	Width x Depth x Height	809 x 300 x 630	809 x 300 x 630	950 x 330 + 25 x 943	950 x 330 + 25 x 943	1050 x 330 + 40 x 1338	1050 x 330 + 40 x 1338	1050 x 330 + 40 x 1338
ELECTRICAL SUPPLY		220-240v, 50Hz	220-240v, 50Hz	220-240v, 50Hz	220-240v, 50Hz	220-240v, 50Hz	220-240v, 50Hz	220-240v, 50Hz
PHASE		Single	Single	Single	Single	Single	Single	Single
SYSTEM POWER INPUT (kW)	Heating/Cooling (nominal)	0.820 / 0.705	1.363 / 1.106	1.707 / 1.452	1.818 / 1.651	2.604 / 2.065	3.674 / 3.378	4.312 / 3.772
	Heating/Cooling (UK)	0.73 / 0.59	1.21 / 0.94	1.43 / 1.15	1.61 / 1.39	2.09 / 1.77	3.27 / 2.87	3.83 / 3.15
STARTING CURRENT (A)		5.0	5.0	6.0	6.0	13.0	13.0	13.0
SYSTEM RUNNING CURRENT (A)	Heating/Cooling [MAX]	3.89 / 3.51 [13.2]	6.05 / 5.00 [13.2]	7.39 / 6.31 [19.2]	7.79 / 7.06 [19.3]	11.25 / 8.97 [27.0]	15.77 / 14.53 [27.0]	18.41 / 15.88 [28.7]
FUSE RATING (BS88) - HRC (A)		16	16	25	25	32	32	40
MAINS CABLE NO. CORES		3	3	3	3	3	3	3
MAX PIPE LENGTH (m)		50	50	55	55	100	100	100
MAX HEIGHT DIFFERENCE (m)		30	30	30	30	30	30	30
CHARGE REFRIGERANT (kg) / CO ₂ EQUIVALENT (t)	R32 (GWP 675) - 30m	2.0 / 1.35	2.00 / 1.35	2.80 / 1.89	2.80 / 1.89	4.00 / 2.70	4.00 / 2.70	4.00 / 2.70
MAX ADDITIONAL REFRIGERANT (kg) / CO ₂ EQUIVALENT (t)	R32 (GWP 675)	0.30 / 0.20	0.30 / 0.20	0.80 / 0.54	0.80 / 0.54	2.80 / 1.89	2.80 / 1.89	2.80 / 1.89

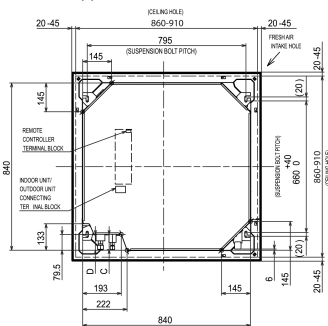
PRODUCT DIMENSIONS

PLA-ZM35-140EA

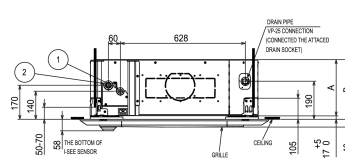
Lower View



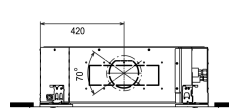
Upper View



Side View



Front View



ZM	①	②	A	B	C	D
35/50	REFRIGERANT PIPE Ø 6.35 FLARED CONNECTION 1/4"	REFRIGERANT PIPE Ø 12.7 FLARED CONNECTION 1/2"	241	208	76	76.5
60	FLARED CONNECTION 3/8"	REFRIGERANT PIPE Ø 15.88 FLARED CONNECTION 1/2"			79.5	79.5
71	REFRIGERANT PIPE Ø 9.52		281	298		
100-140						



Telephone: 01707 282880
email: air.conditioning@meuk.mee.com
web: airconditioning.mitsubishielectric.co.uk microsite: timeforR32.co.uk

UNITED KINGDOM Mitsubishi Electric Europe Living Environment Systems Division
Travellers Lane, Hatfield, Hertfordshire, AL10 8XB, England General Enquiries Telephone: 01707 282880 Fax: 01707 278881

IRELAND Mitsubishi Electric Europe Westgate Business Park, Ballymount, Dublin 24, Ireland
Telephone: Dublin (01) 419 8800 Fax: Dublin (01) 419 8890 International code: (003531)

Country of origin: United Kingdom - Japan - Thailand - Malaysia. ©Mitsubishi Electric Europe 2017. Mitsubishi and Mitsubishi Electric are trademarks of Mitsubishi Electric Europe B.V. The company reserves the right to make any variation in technical specification to the equipment described, or to withdraw or replace products without prior notification or public announcement. Mitsubishi Electric is constantly developing and improving its products. All descriptions, illustrations, drawings and specifications in this publication present only general particulars and shall not form part of any contract. All goods are supplied subject to the Company's General Conditions of Sale, a copy of which is available on request. Third-party product and brand names may be trademarks or registered trademarks of their respective owners.

Note: The fuse rating is for guidance only. Please refer to the relevant databook for detailed specification. It is the responsibility of a qualified electrician/electrical engineer to select the correct cable size and fuse rating based on current regulation and site specific conditions. Mitsubishi Electric's air conditioning equipment and heat pump systems contain a fluorinated greenhouse gas, R410A (GWP:2088), R32 (GWP:675), R407C (GWP:1774) or R134a (GWP:1430). *These GWP values are based on Regulation(EU) No 517/2014 from IPCC 4th edition. In case of Regulation(EU) No.626/2011 from IPCC 3rd edition, these are as follows. R410A (GWP:1975), R32 (GWP: 550), R407C (GWP:1650) or R134a (GWP:1300).



www.greengateway.mitsubishielectric.co.uk
Mitsubishi Electric UK's commitment to the environment

Follow us @meuk_Jes
Follow us @green_gateway

Mitsubishi Electric
Living Environmental Systems UK

YouTube
mitsubishielectric2

Effective as of May 2017

